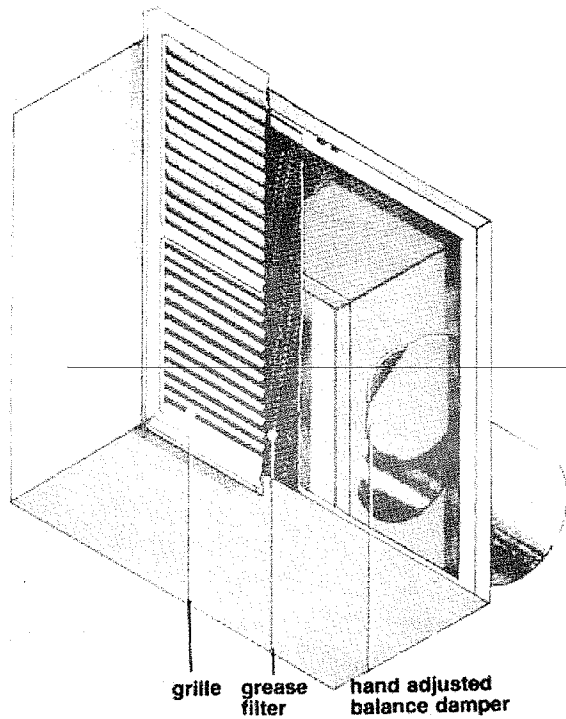
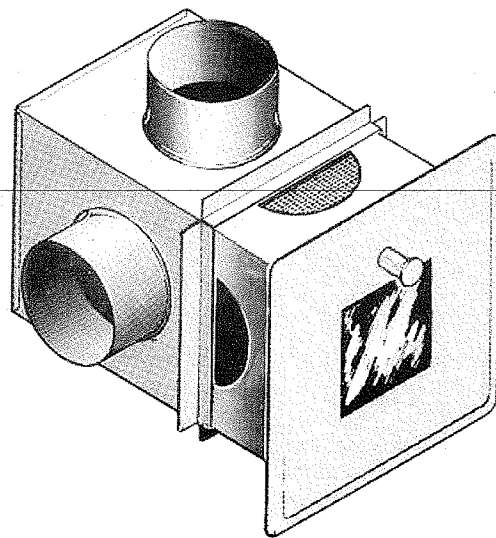


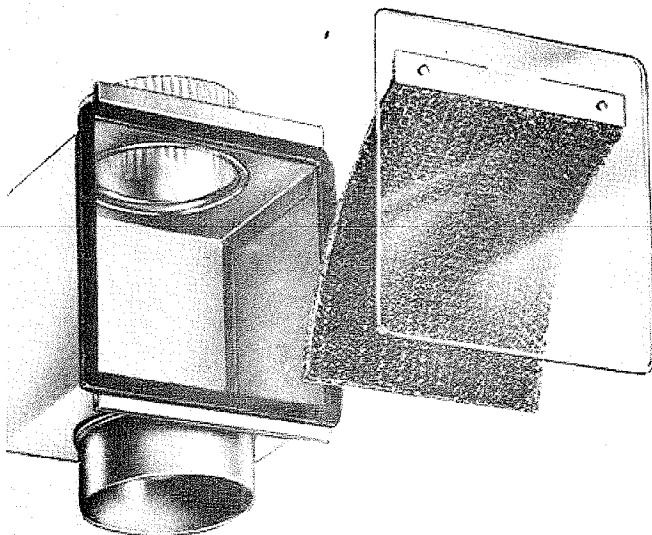
BALANCE BOX, LARGE OR SMALL



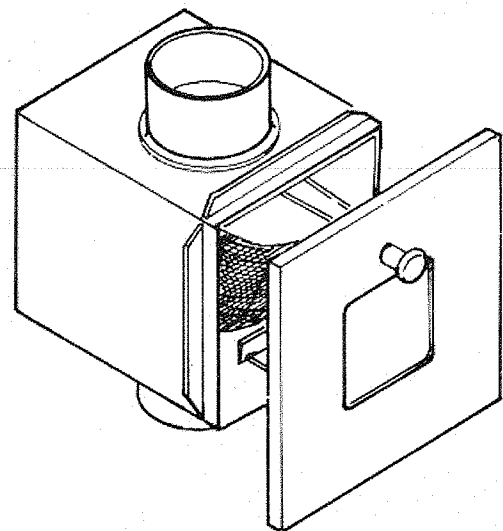
LINT TRAP - LT90



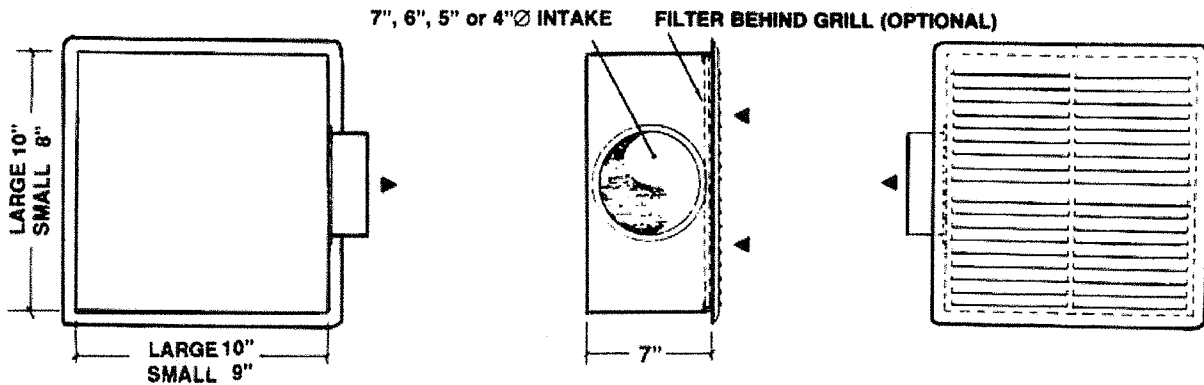
LINT TRAP - LT180



LINT TRAP - LT200
FOR DRYWALL INSTALLATION
CEILING OR WALL MOUNTED

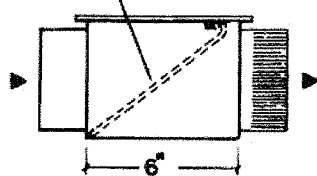


BALANCE BOX, LARGE OR SMALL
EQUIPPED WITH MANUAL BALANCING DAMPER

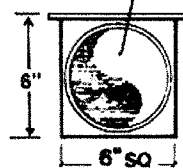


LINT TRAP - LT180

FILTER (ATTACHED TO P/G COVER)



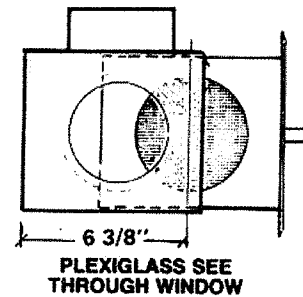
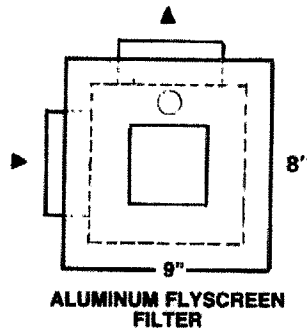
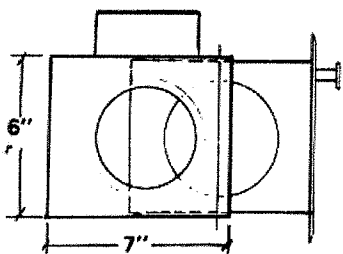
4"Ø INTAKE AND OUTLET



REMOVABLE PLEXIGLAS COVER

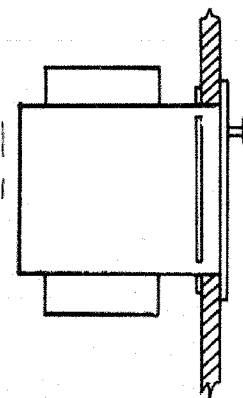
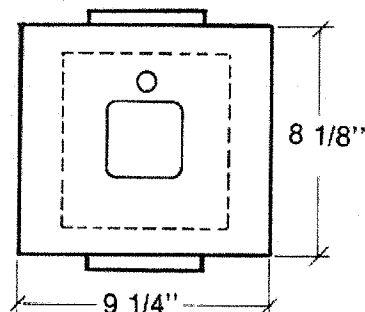
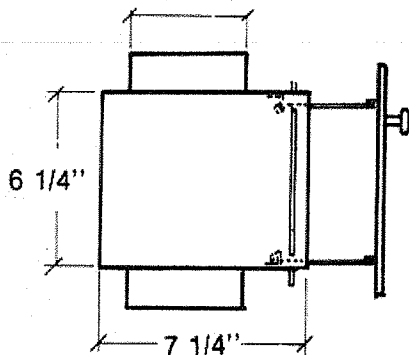


LINT TRAP - LT90



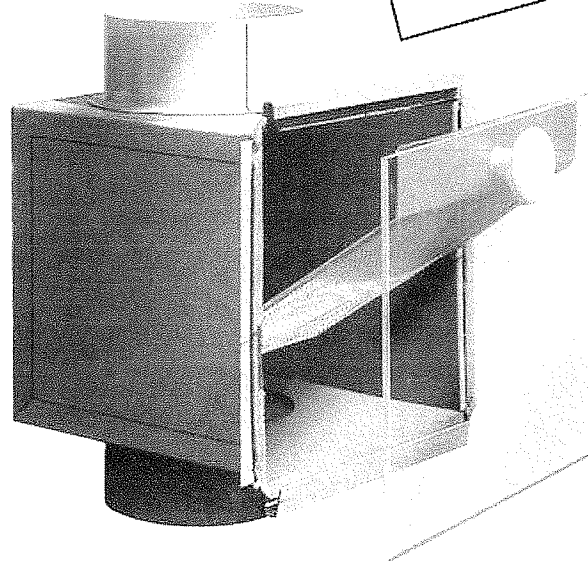
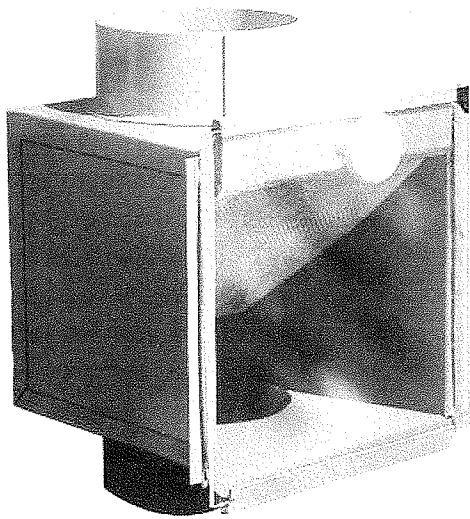
LINT TRAP - LT200

4" dia.



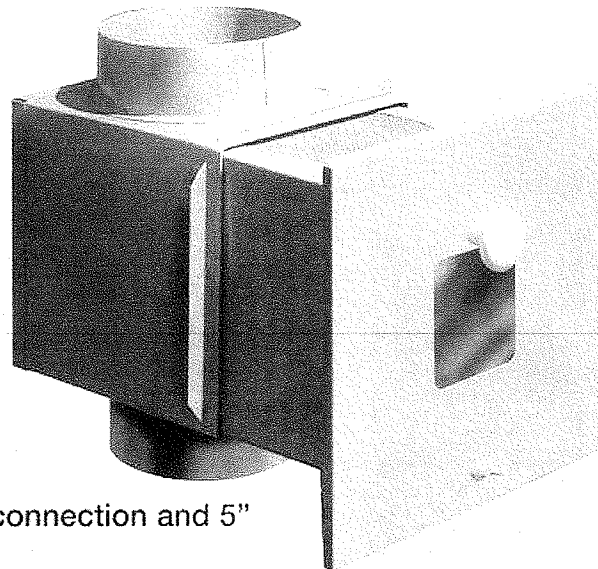
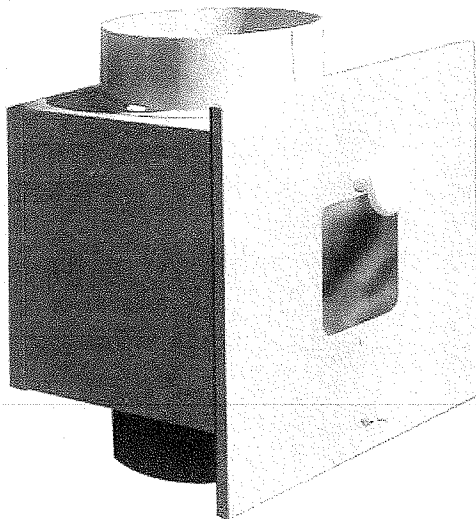
LINT TRAP - LT180-F
SURFACE MOUNTED

NEW

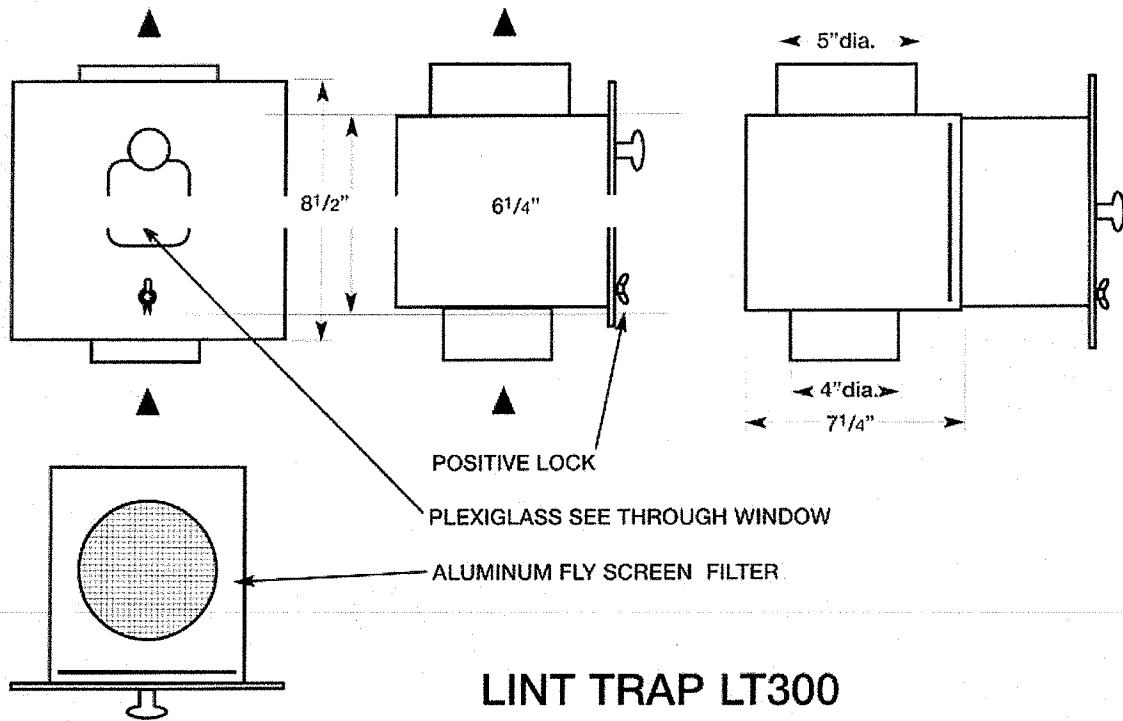
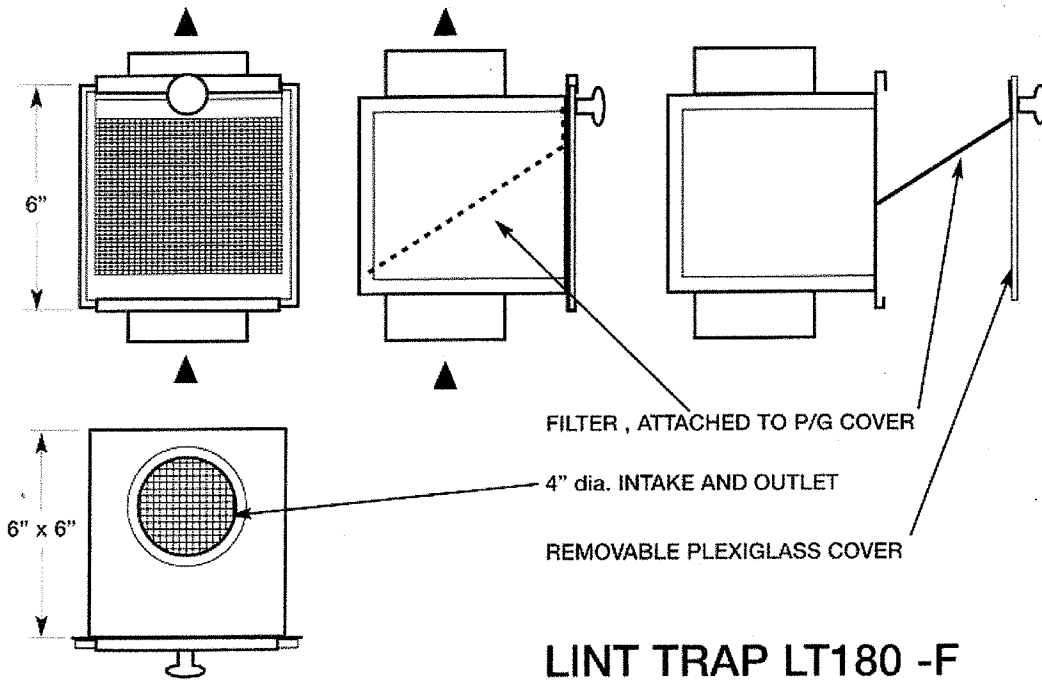


LT180-F equipped with filter frame attached to the removable door for easy operation.

LINT TRAP - LT300
FOR DRYWALL INSTALLATION
CEILING OR WALL MOUNTED

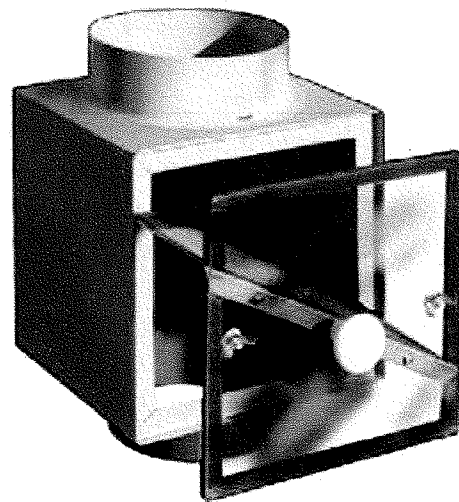
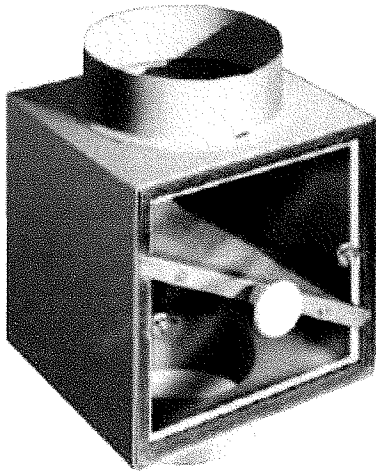


LT300 lint trap has 4" dia. inlet for dryer connection and 5" dia. outlet for better performance.
Also available in 4" dia. (Specify when ordering)
Removable filter unit secured in position with positive lock.

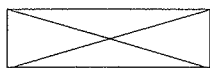
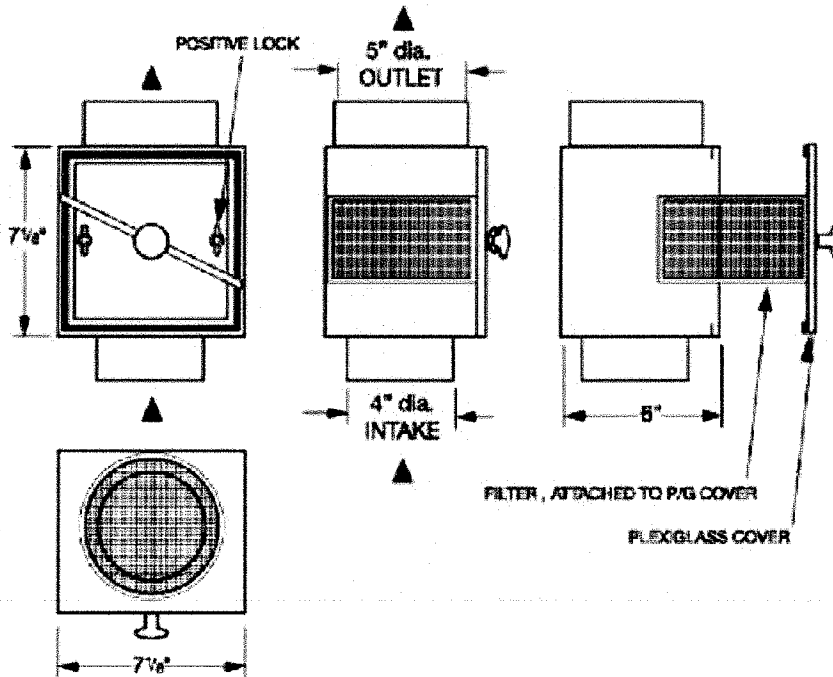


LINT TRAP LT250-45

Surface or drywall mounted with no rough edges.



LT250-45 equipped with filter frame attached to the removable see-through door for easy operation.
LT250-45 locks the gasketed door with two latches that makes it totally air tight.



To print this page click at the button

[BACK TO LIST](#)