



SUPER QUIET EXHAUST FAN

The QCF-125 fan is designed for high performance and quiet operation. This fan is equipped with specially designed mounting slots that allow for easy installation on concrete ceilings or wooden joists. The QCF-125 is constructed with corrosion resistant, heavy gauge satin coat steel. The fan is suitable for installation over bath tub or shower stall with GFCI protected branch circuit. It also meets Washington State Ventilation and Indoor Air Quality code



Hi-impact
Polystyrene
collar

Off White
Aluminum grille

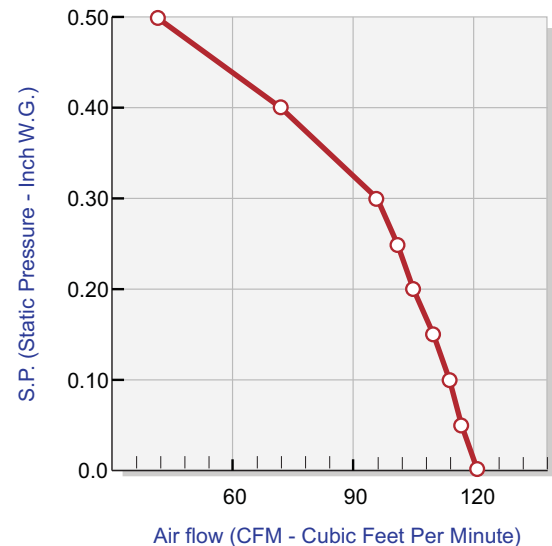


High Impact Styrene
Grille



Off White Louvered Grille

QCF-125 FAN DATA



ACCESSORIES

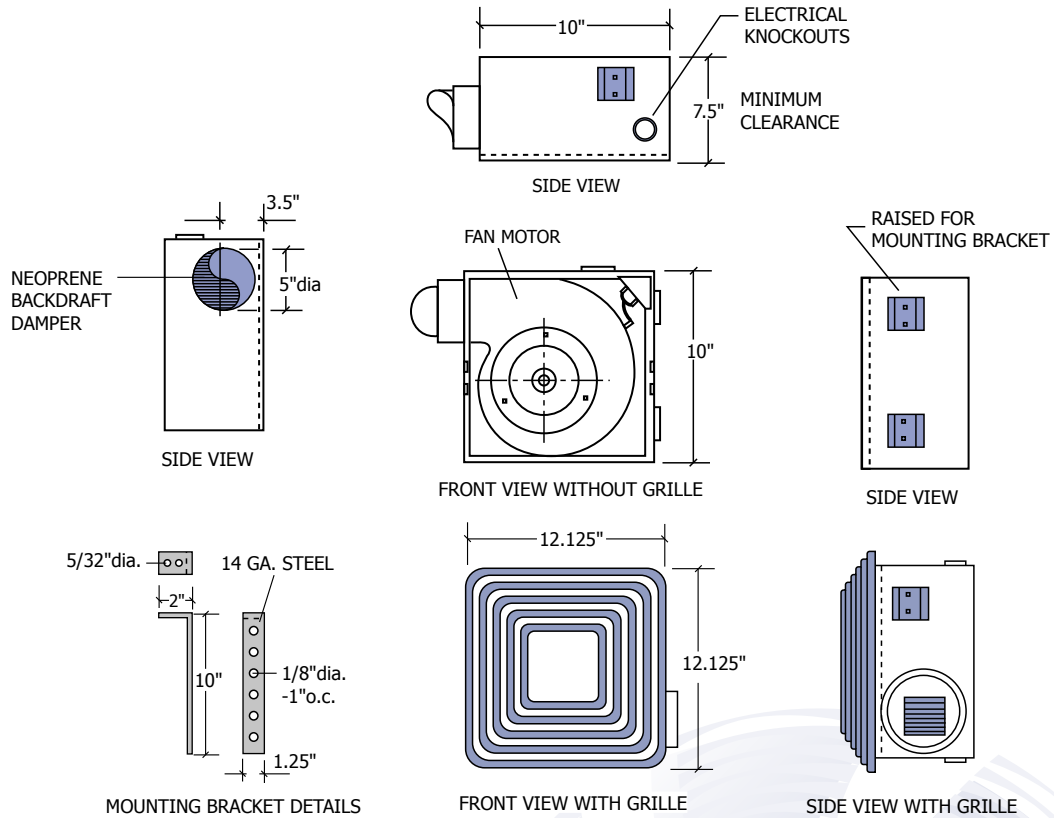
Standard:

- Insulated Housing
- Mounting bracket
- Metal collar with neoprene damper
- Styrene grille or Off white louvered grille

Optional:

- Hi-impact Polystyrene collar
- Variable speed control
- Aluminum backdraft damper
- Off white aluminum louvered grille





HVI CERTIFIED RATINGS

MODEL	SONES	CFM @ 0.10" S.P.
QCF-125	2.0	110

FAN DATA

MODEL	MOTOR 120 VAC 60 Hz			CUBIC FEET PER MINUTE									
	RPM	AMPS	HP	S.P.	0.00	0.05	0.10	0.15	0.20	0.25	0.30	0.40	0.50
QCF-125	1050	0.7	1/90	CFM	121	117	114	110	105	101	96	72	41

RPM (Revolution Per Minute) shown is nominal and performance is based on actual speed of test. Unit was tested with inlet grille, backdraft damper and outlet duct.

SOUND RATING

OCTAVE BAND	1	2	3	4	5	6	7	8
CENTER FREQUENCY Hz	63	125	250	500	1000	2000	4000	8000
FULL-OCTAVE BAND SOUND PRESSURE LEVEL (dB)	40.8	47.2	39.4	34.0	31.5	24.0	19.4	14.4

Contractor:	QCF-125		
Architect:	Job:	Data	Supersedes
Engineer:	Date Submitted:		Drawing NO.

Reversomatic Manufacturing Ltd.